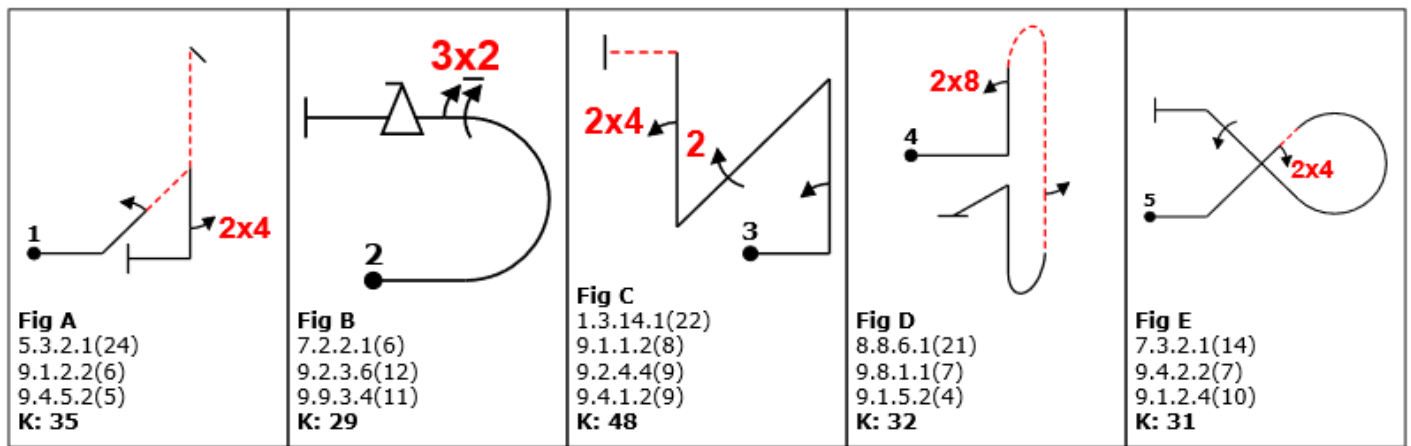
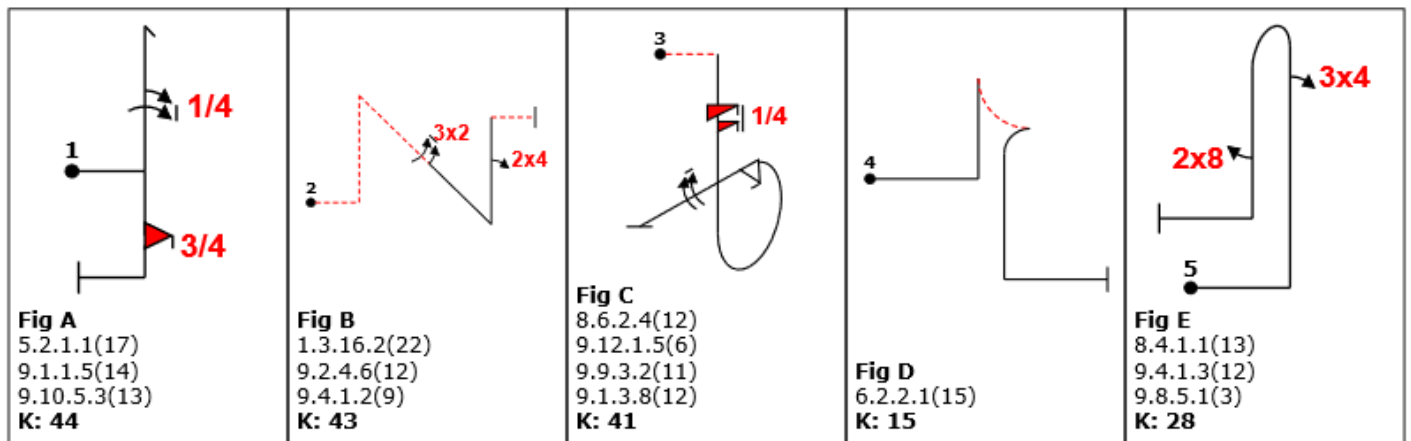


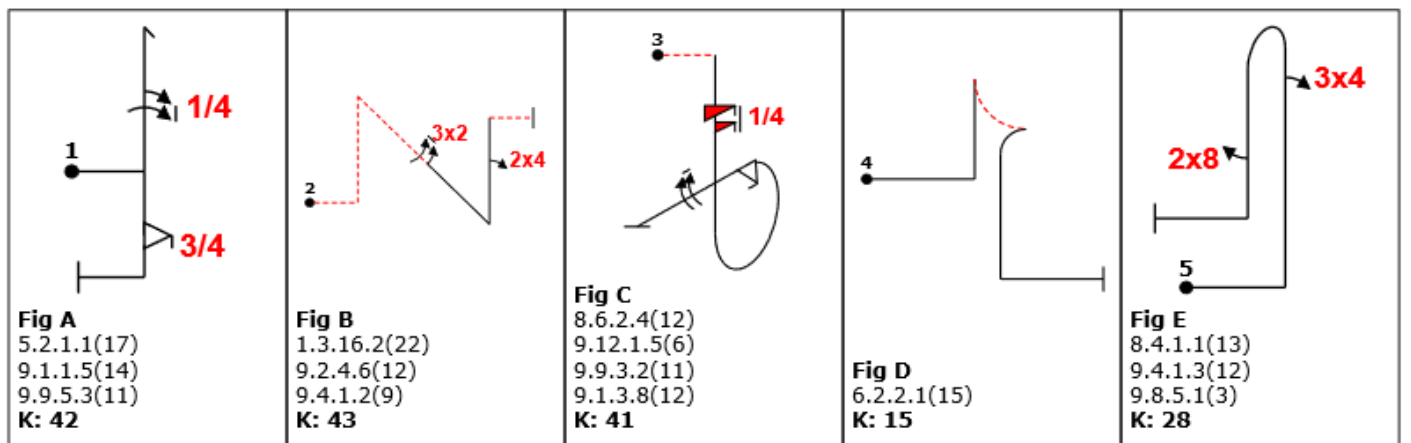
## Advanced A Total K 175



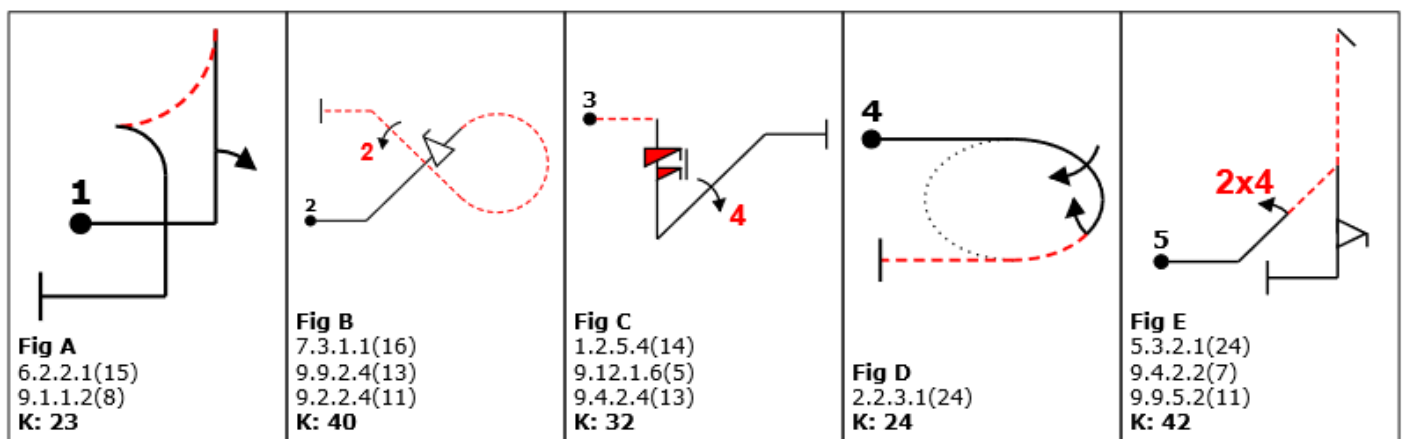
## Advanced B Total K 171



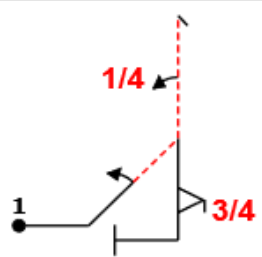
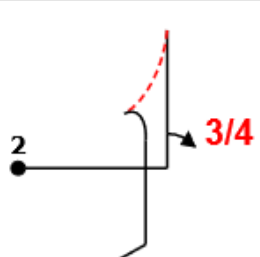
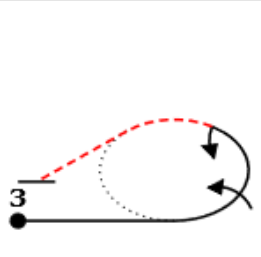
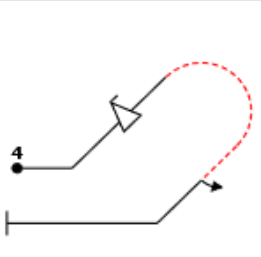
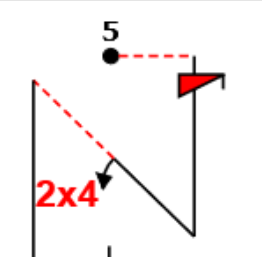
## Advanced C Total K 169



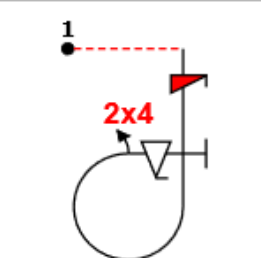
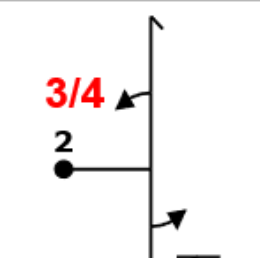
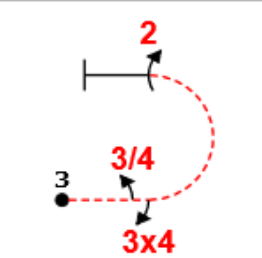
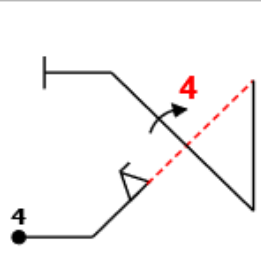
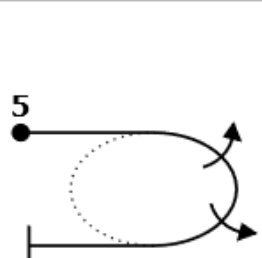
## Advanced D Total K 161



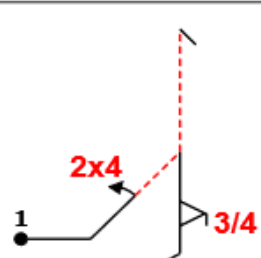
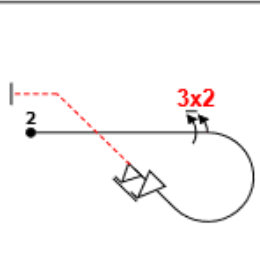
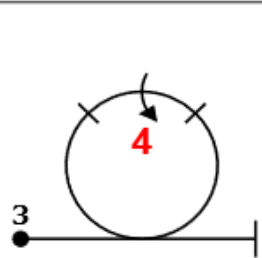
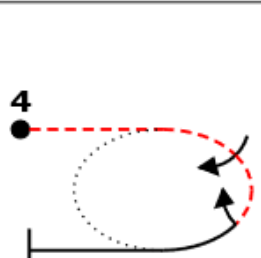
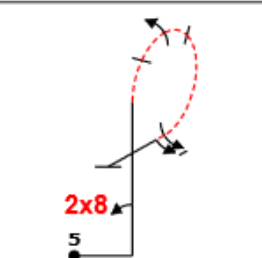
## Advanced E Total K 171

 <p><b>Fig A</b> 5.3.2.1(24) 9.1.2.2(6) 9.1.1.1(6) 9.9.5.3(11) K: 47</p>	 <p><b>Fig B</b> 6.2.2.1(15) 9.1.1.3(10) K: 25</p>	 <p><b>Fig C</b> 2.3.2.1(34) K: 34</p>	 <p><b>Fig D</b> 8.4.18.1(14) 9.9.2.4(13) 9.1.4.2(4) K: 31</p>	 <p><b>Fig E</b> 1.3.11.4(20) 9.12.1.4(7) 9.4.2.2(7) K: 34</p>
-------------------------------------------------------------------------------------------------------------------------------------------------------------------------------	-------------------------------------------------------------------------------------------------------------------------------------------------	---------------------------------------------------------------------------------------------------------------------------------	------------------------------------------------------------------------------------------------------------------------------------------------------------------	-------------------------------------------------------------------------------------------------------------------------------------------------------------------

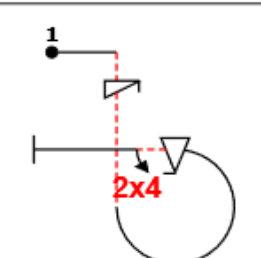
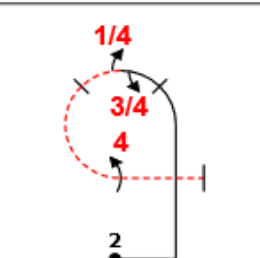
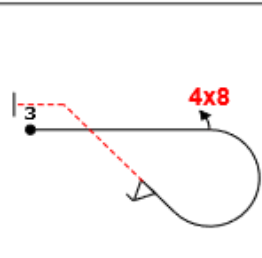
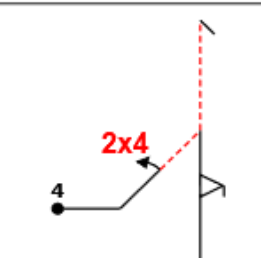
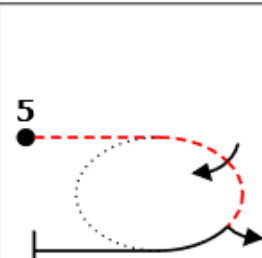
## Advanced F Total K 165

 <p><b>Fig A</b> 8.6.2.4(12) 9.12.1.4(7) 9.4.3.2(5) 9.9.3.4(11) K: 35</p>	 <p><b>Fig B</b> 5.2.1.1(17) 9.1.1.3(10) 9.1.5.2(4) K: 31</p>	 <p><b>Fig C</b> 7.2.1.2(8) 9.1.3.3(6) 9.4.3.3(8) 9.2.3.4(9) K: 31</p>	 <p><b>Fig D</b> 1.3.2.1(18) 9.9.2.2(13) 9.4.2.4(13) K: 44</p>	 <p><b>Fig E</b> 2.2.5.3(24) K: 24</p>
--------------------------------------------------------------------------------------------------------------------------------------------------------------------------------	----------------------------------------------------------------------------------------------------------------------------------------------------------------	-----------------------------------------------------------------------------------------------------------------------------------------------------------------------------	------------------------------------------------------------------------------------------------------------------------------------------------------------------	-----------------------------------------------------------------------------------------------------------------------------------

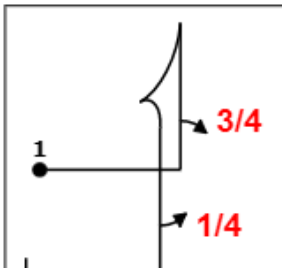
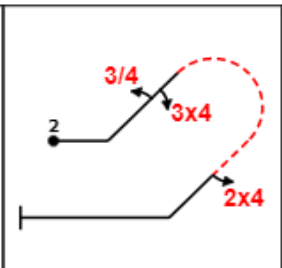
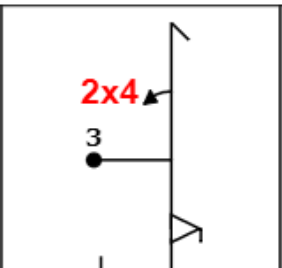
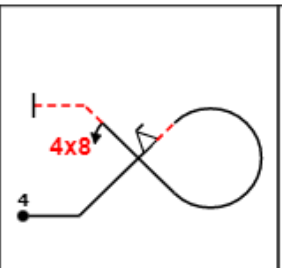
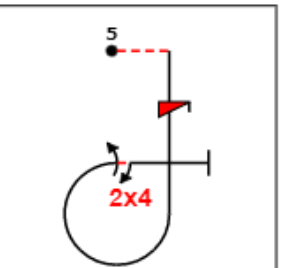
## Advanced G Total K 165

 <p><b>Fig A</b> 5.3.2.1(24) 9.4.2.2(7) 9.9.5.3(11) K: 42</p>	 <p><b>Fig B</b> 8.5.8.3(11) 9.2.3.6(12) 9.9.2.6(16) K: 39</p>	 <p><b>Fig C</b> 7.4.1.1(10) 9.4.3.4(11) K: 21</p>	 <p><b>Fig D</b> 2.2.3.2(24) K: 24</p>	 <p><b>Fig E</b> 8.6.4.1(14) 9.8.1.1(7) 9.1.3.4(8) 9.1.3.6(10) K: 39</p>
------------------------------------------------------------------------------------------------------------------------------------------------------------------	-------------------------------------------------------------------------------------------------------------------------------------------------------------------	---------------------------------------------------------------------------------------------------------------------------------------------------	------------------------------------------------------------------------------------------------------------------------------------	-----------------------------------------------------------------------------------------------------------------------------------------------------------------------------------

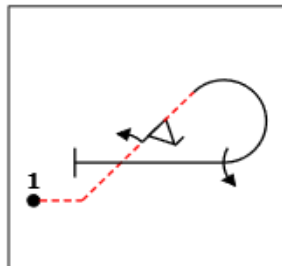
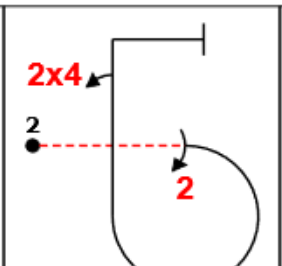
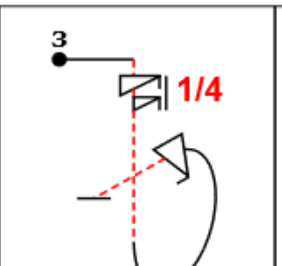
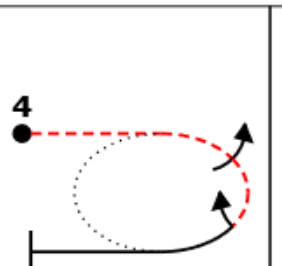
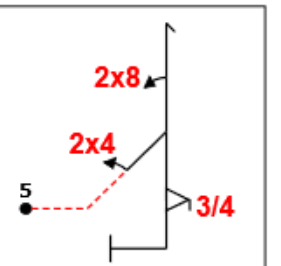
## Advanced H Total K 166

 <p><b>Fig A</b> 8.6.4.3(13) 9.11.1.4(5) 9.9.3.4(11) 9.4.3.2(5) K: 34</p>	 <p><b>Fig B</b> 8.6.17.1(14) 9.1.3.3(6) 9.1.3.1(2) 9.4.3.4(11) K: 33</p>	 <p><b>Fig C</b> 8.5.8.3(11) 9.8.3.2(7) 9.9.2.2(13) K: 31</p>	 <p><b>Fig D</b> 5.3.2.1(24) 9.4.2.2(7) 9.9.5.2(11) K: 42</p>	 <p><b>Fig E</b> 2.2.4.2(26) K: 26</p>
----------------------------------------------------------------------------------------------------------------------------------------------------------------------------------	----------------------------------------------------------------------------------------------------------------------------------------------------------------------------------	------------------------------------------------------------------------------------------------------------------------------------------------------------------	-------------------------------------------------------------------------------------------------------------------------------------------------------------------	-------------------------------------------------------------------------------------------------------------------------------------

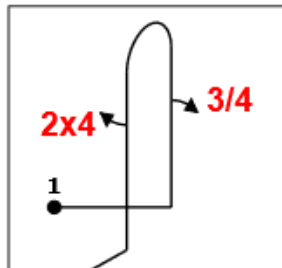
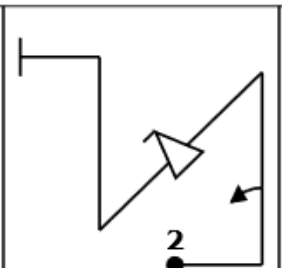
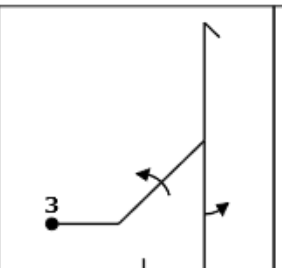
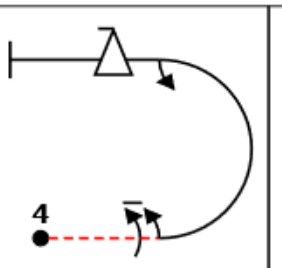
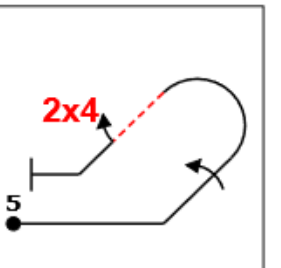
## Advanced I Total K 171

 <p><b>Fig A</b> 6.2.1.1(15) 9.1.1.3(10) 9.1.5.1(2) K: 27</p>	 <p><b>Fig B</b> 8.4.18.1(14) 9.1.2.3(8) 9.4.2.3(10) 9.4.4.2(5) K: 37</p>	 <p><b>Fig C</b> 5.2.1.1(17) 9.4.1.2(9) 9.9.5.2(11) K: 37</p>	 <p><b>Fig D</b> 7.3.4.1(16) 9.9.2.2(13) 9.8.2.2(9) K: 38</p>	 <p><b>Fig E</b> 8.6.2.4(12) 9.12.1.4(7) 9.1.3.4(8) 9.4.3.2(5) K: 32</p>
---------------------------------------------------------------------------------------------------------------------------------------------------------------	--------------------------------------------------------------------------------------------------------------------------------------------------------------------------------	----------------------------------------------------------------------------------------------------------------------------------------------------------------	-----------------------------------------------------------------------------------------------------------------------------------------------------------------	---------------------------------------------------------------------------------------------------------------------------------------------------------------------------------

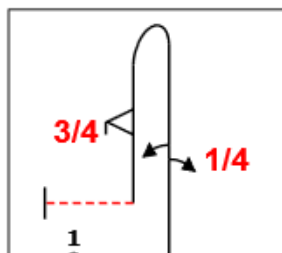
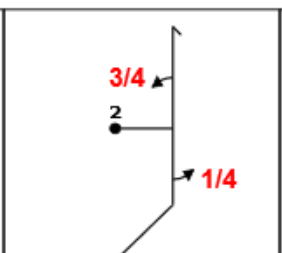
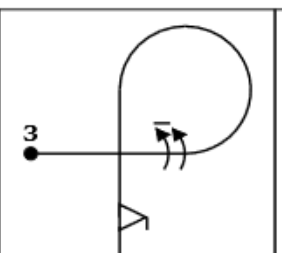
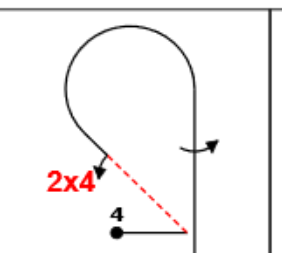
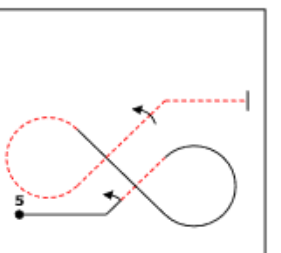
## Advanced J Total K 169

 <p><b>Fig A</b> 8.5.1.2(10) 9.1.2.2(6) 9.9.2.2(13) 9.1.3.4(8) K: 37</p>	 <p><b>Fig B</b> 8.6.6.4(13) 9.2.3.4(9) 9.4.1.2(9) K: 31</p>	 <p><b>Fig C</b> 8.6.3.3(13) 9.11.1.5(4) 9.9.3.4(11) K: 28</p>	 <p><b>Fig D</b> 2.2.4.4(27) K: 27</p>	 <p><b>Fig E</b> 5.3.2.4(21) 9.4.2.2(7) 9.8.1.1(7) 9.9.5.3(11) K: 46</p>
------------------------------------------------------------------------------------------------------------------------------------------------------------------------------	---------------------------------------------------------------------------------------------------------------------------------------------------------------	-----------------------------------------------------------------------------------------------------------------------------------------------------------------	----------------------------------------------------------------------------------------------------------------------------------	---------------------------------------------------------------------------------------------------------------------------------------------------------------------------------

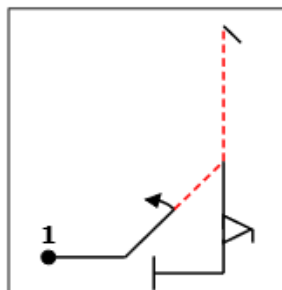
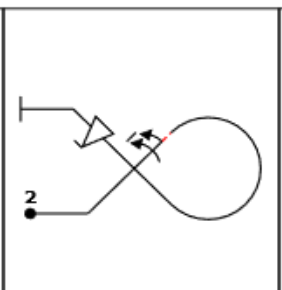
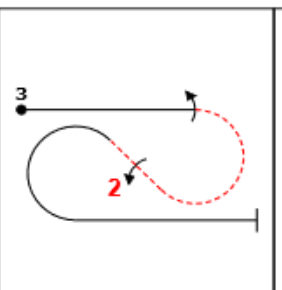
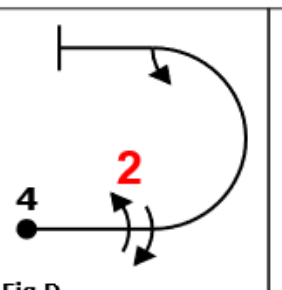
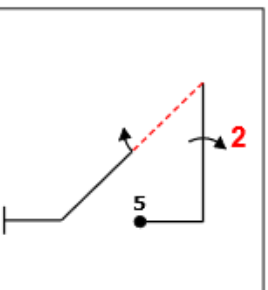
## Advanced K total K 161

 <p><b>Fig A</b> 8.4.1.1(13) 9.1.1.3(10) 9.4.5.2(5) K: 28</p>	 <p><b>Fig B</b> 1.3.13.1(22) 9.1.1.2(8) 9.9.4.4(11) K: 41</p>	 <p><b>Fig C</b> 5.3.1.3(20) 9.1.2.4(10) 9.1.5.2(4) K: 34</p>	 <p><b>Fig D</b> 7.2.4.2(6) 9.1.3.6(10) 9.1.3.2(4) 9.9.3.4(11) K: 31</p>	 <p><b>Fig E</b> 8.4.14.1(12) 9.1.2.4(10) 9.4.4.2(5) K: 27</p>
-----------------------------------------------------------------------------------------------------------------------------------------------------------------	-------------------------------------------------------------------------------------------------------------------------------------------------------------------	------------------------------------------------------------------------------------------------------------------------------------------------------------------	----------------------------------------------------------------------------------------------------------------------------------------------------------------------------------	---------------------------------------------------------------------------------------------------------------------------------------------------------------------

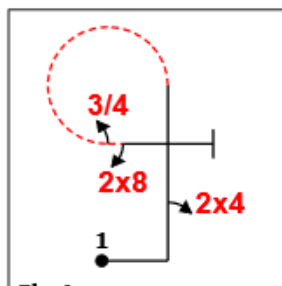
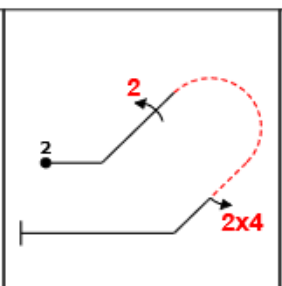
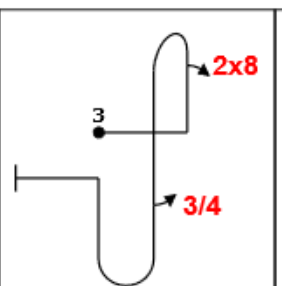
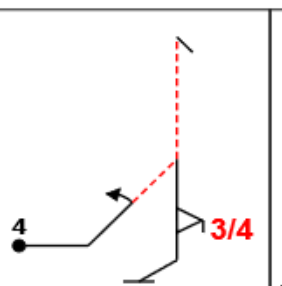
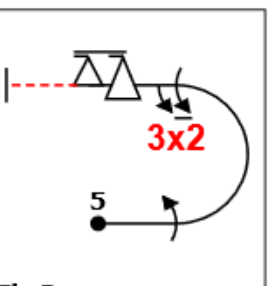
## Advanced L Total K 175

 <p><b>Fig A</b> 8.4.2.1(14) 9.1.1.1(6) 9.1.1.2(8) 9.9.5.3(11) K: 39</p>	 <p><b>Fig B</b> 5.3.3.1(18) 9.1.1.3(10) 9.1.5.1(2) K: 30</p>	 <p><b>Fig C</b> 8.6.5.1(11) 9.1.3.8(12) 9.9.5.2(11) K: 34</p>	 <p><b>Fig D</b> 8.5.15.1(16) 9.4.2.2(7) 9.1.5.4(8) K: 31</p>	 <p><b>Fig E</b> 7.8.10.1(25) 9.1.2.2(6) 9.1.2.4(10) K: 41</p>
--------------------------------------------------------------------------------------------------------------------------------------------------------------------------------	------------------------------------------------------------------------------------------------------------------------------------------------------------------	-------------------------------------------------------------------------------------------------------------------------------------------------------------------	-------------------------------------------------------------------------------------------------------------------------------------------------------------------	---------------------------------------------------------------------------------------------------------------------------------------------------------------------

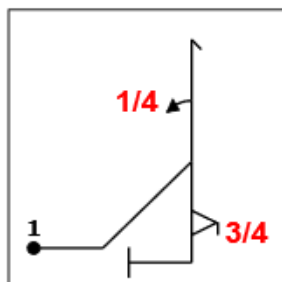
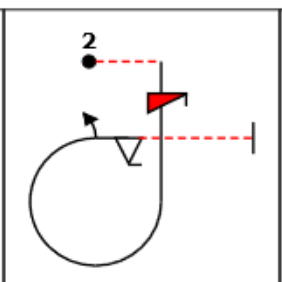
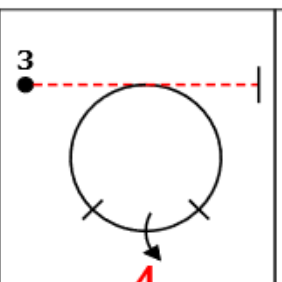
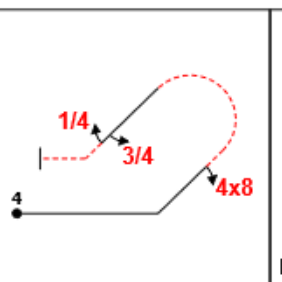
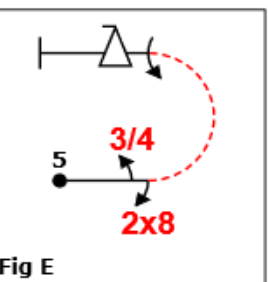
## Advanced M Total K 172

 <p><b>Fig A</b> 5.3.2.1(24) 9.1.2.2(6) 9.9.5.2(11) <b>K: 41</b></p>	 <p><b>Fig B</b> 7.3.2.1(14) 9.1.2.6(12) 9.9.2.4(13) <b>K: 39</b></p>	 <p><b>Fig C</b> 7.5.1.3(16) 9.1.3.4(8) 9.2.2.4(11) <b>K: 35</b></p>	 <p><b>Fig D</b> 7.2.2.1(6) 9.2.3.4(9) 9.1.3.4(8) 9.1.3.2(4) <b>K: 27</b></p>	 <p><b>Fig E</b> 1.2.7.1(13) 9.2.1.4(13) 9.1.4.2(4) <b>K: 30</b></p>
----------------------------------------------------------------------------------------------------------------------------------------------------------------------	------------------------------------------------------------------------------------------------------------------------------------------------------------------------	-----------------------------------------------------------------------------------------------------------------------------------------------------------------------	-------------------------------------------------------------------------------------------------------------------------------------------------------------------------------------	-------------------------------------------------------------------------------------------------------------------------------------------------------------------------

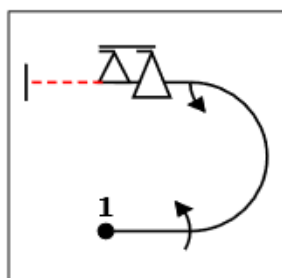
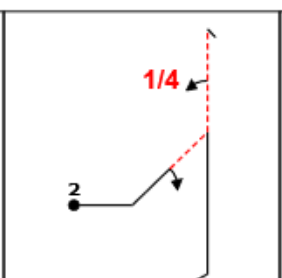
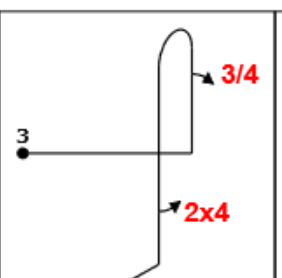
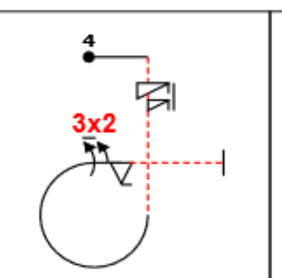
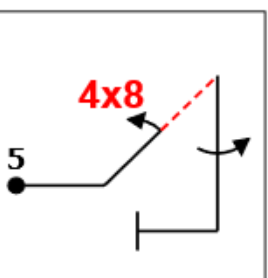
## Advanced N Total K 175

 <p><b>Fig A</b> 8.6.4.1(14) 9.4.1.2(9) 9.1.3.3(6) 9.8.3.1(3) <b>K: 32</b></p>	 <p><b>Fig B</b> 8.4.18.1(14) 9.2.2.4(11) 9.4.4.2(5) <b>K: 30</b></p>	 <p><b>Fig C</b> 8.8.2.1(19) 9.8.1.1(7) 9.1.5.3(6) <b>K: 32</b></p>	 <p><b>Fig D</b> 5.3.2.1(24) 9.1.2.2(6) 9.9.5.3(11) <b>K: 41</b></p>	 <p><b>Fig E</b> 7.2.1.1(6) 9.1.3.4(8) 9.2.3.6(12) 9.9.3.6(14) <b>K: 40</b></p>
------------------------------------------------------------------------------------------------------------------------------------------------------------------------------------	------------------------------------------------------------------------------------------------------------------------------------------------------------------------	----------------------------------------------------------------------------------------------------------------------------------------------------------------------	------------------------------------------------------------------------------------------------------------------------------------------------------------------------	----------------------------------------------------------------------------------------------------------------------------------------------------------------------------------------

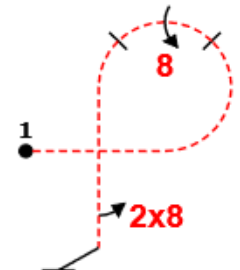
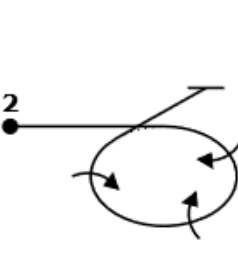
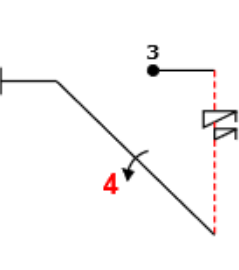
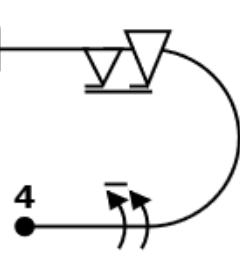
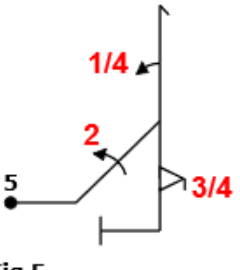
## Advanced O Total K 160

 <p><b>Fig A</b> 5.3.1.1(18) 9.1.1.1(6) 9.9.5.3(11) <b>K: 35</b></p>	 <p><b>Fig B</b> 8.6.1.4(12) 9.12.1.4(7) 9.1.3.2(4) 9.9.3.2(11) <b>K: 34</b></p>	 <p><b>Fig C</b> 7.4.1.4(11) 9.4.3.4(11) <b>K: 22</b></p>	 <p><b>Fig D</b> 8.4.20.1(16) 9.8.2.2(9) 9.1.4.3(6) 9.1.4.1(2) <b>K: 33</b></p>	 <p><b>Fig E</b> 7.2.3.1(8) 9.1.3.3(6) 9.8.3.1(3) 9.1.3.4(8) 9.9.3.4(11) <b>K: 36</b></p>
------------------------------------------------------------------------------------------------------------------------------------------------------------------------	-----------------------------------------------------------------------------------------------------------------------------------------------------------------------------------------	----------------------------------------------------------------------------------------------------------------------------------------------------------	-----------------------------------------------------------------------------------------------------------------------------------------------------------------------------------------	--------------------------------------------------------------------------------------------------------------------------------------------------------------------------------------------------------

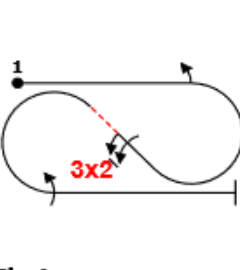
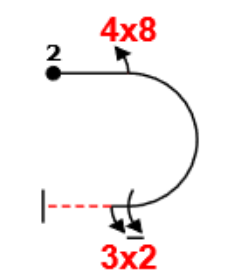
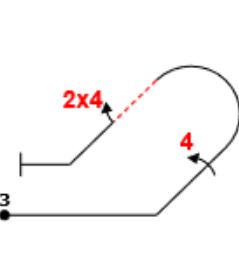
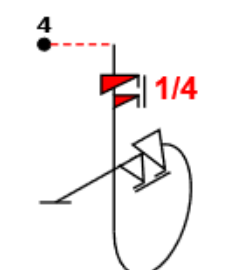
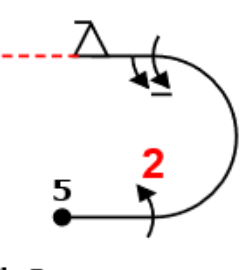
## Advanced P Total K 164

 <p><b>Fig A</b> 7.2.1.1(6) 9.1.3.4(8) 9.1.3.2(4) 9.9.3.6(14) <b>K: 32</b></p>	 <p><b>Fig B</b> 5.3.2.1(24) 9.1.2.2(6) 9.1.1.1(6) <b>K: 36</b></p>	 <p><b>Fig C</b> 8.4.1.1(13) 9.1.1.3(10) 9.4.5.2(5) <b>K: 28</b></p>	 <p><b>Fig D</b> 8.6.3.3(13) 9.11.1.6(3) 9.2.3.6(12) 9.9.3.2(11) <b>K: 39</b></p>	 <p><b>Fig E</b> 1.2.3.1(12) 9.8.2.2(9) 9.1.5.4(8) <b>K: 29</b></p>
--------------------------------------------------------------------------------------------------------------------------------------------------------------------------------------	------------------------------------------------------------------------------------------------------------------------------------------------------------------------	-------------------------------------------------------------------------------------------------------------------------------------------------------------------------	-------------------------------------------------------------------------------------------------------------------------------------------------------------------------------------------	--------------------------------------------------------------------------------------------------------------------------------------------------------------------------

## Advanced Q Total K 172

 <p><b>Fig A</b> 8.6.6.2(15) 9.8.3.4(15) 9.8.5.1(3) <b>K: 33</b></p>	 <p><b>Fig B</b> 2.3.4.1(30) <b>K: 30</b></p>	 <p><b>Fig C</b> 1.2.6.3(15) 9.11.1.6(3) 9.4.2.4(13) <b>K: 31</b></p>	 <p><b>Fig D</b> 7.2.2.1(6) 9.1.3.8(12) 9.9.3.6(14) <b>K: 32</b></p>	 <p><b>Fig E</b> 5.3.1.1(18) 9.2.2.4(11) 9.1.1.1(6) 9.9.5.3(11) <b>K: 46</b></p>
-----------------------------------------------------------------------------------------------------------------------------------------------------------------------	----------------------------------------------------------------------------------------------------------------------------------------	------------------------------------------------------------------------------------------------------------------------------------------------------------------------	------------------------------------------------------------------------------------------------------------------------------------------------------------------------	-----------------------------------------------------------------------------------------------------------------------------------------------------------------------------------------

## Advanced R Total K 164

 <p><b>Fig A</b> 7.5.5.3(15) 9.1.3.2(4) 9.2.2.6(14) 9.1.3.4(8) <b>K: 41</b></p>	 <p><b>Fig B</b> 7.2.4.3(6) 9.8.3.2(7) 9.2.3.6(12) <b>K: 25</b></p>	 <p><b>Fig C</b> 8.4.14.1(12) 9.4.2.4(13) 9.4.4.2(5) <b>K: 30</b></p>	 <p><b>Fig D</b> 8.6.2.4(12) 9.12.1.5(6) 9.9.3.6(14) <b>K: 32</b></p>	 <p><b>Fig E</b> 7.2.1.1(6) 9.2.3.4(9) 9.1.3.6(10) 9.9.3.2(11) <b>K: 36</b></p>
--------------------------------------------------------------------------------------------------------------------------------------------------------------------------------------	----------------------------------------------------------------------------------------------------------------------------------------------------------------------	------------------------------------------------------------------------------------------------------------------------------------------------------------------------	-------------------------------------------------------------------------------------------------------------------------------------------------------------------------	----------------------------------------------------------------------------------------------------------------------------------------------------------------------------------------