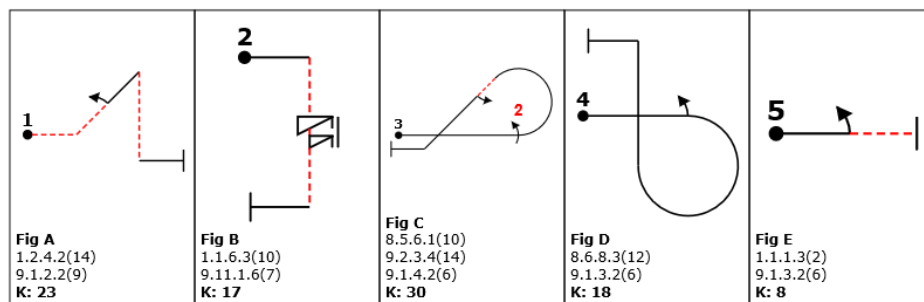


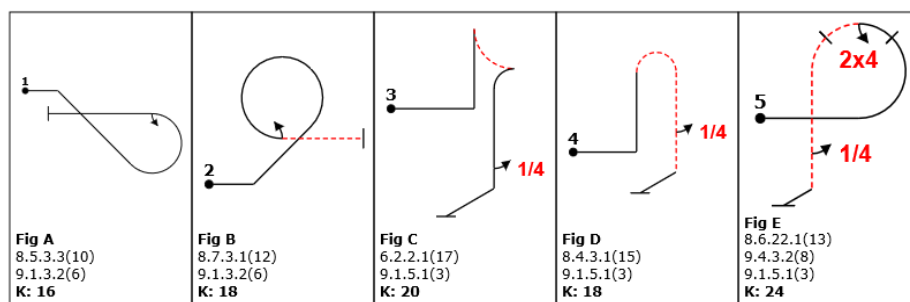
AVANCED GLIDER 5 FIGURES

C ADV K=96 **1 place in GAC ranking**



GAC members	Rank	Comments
	1-5	
Pekka Havbrandt SWE	1	
Eugen Schaal, GER	1	
Ferenc Toth, HUN	1	
Madelyne Delcroix, FRA	2	
Philippe K�uchler, SUI	1	
TOTAL RANK	5	

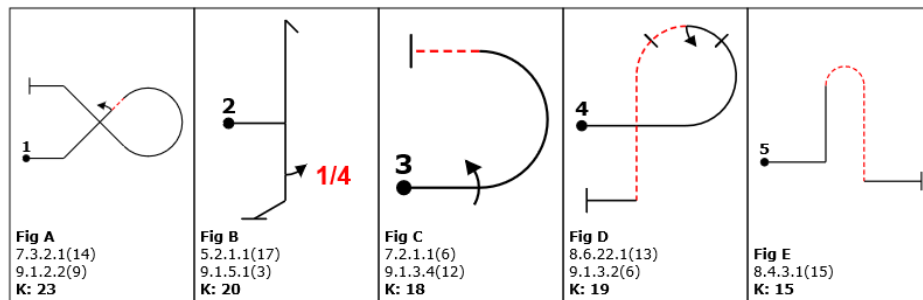
B ADV K=96 **2 place in GAC ranking**



GAC members	Rank	Comments
	1-5	
Pekka Havbrandt SWE	3	
Eugen Schaal, GER	3	
Ferenc Toth, HUN	2	
Madelyne Delcroix, FRA	3	
Philippe K�uchler, SUI	4	
TOTAL RANK	15	

A ADV K=95

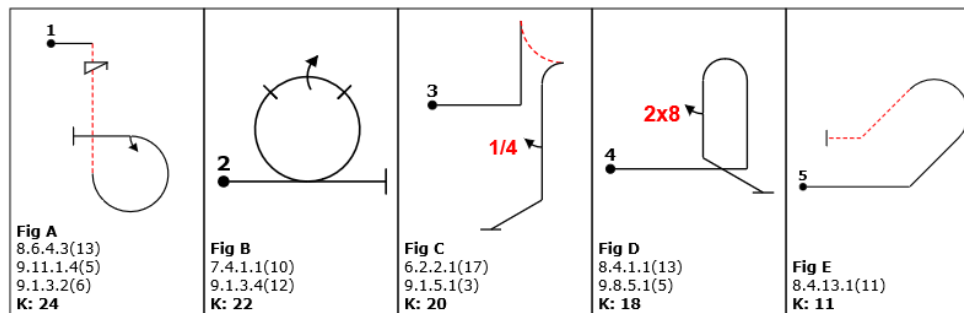
3 place in GAC ranking



GAC members	Rank	Comments
	1-5	
Pekka Havbrandt SWE	4	
Eugen Schaal, GER	4	
Ferenc Toth, HUN	3	
Madelyne Delcroix, FRA	1	
Philippe Küchler, SUI	5	
TOTAL RANK	18	

E ADV K=95

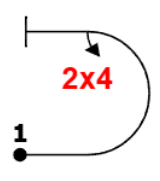

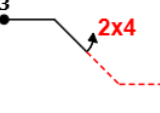
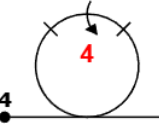
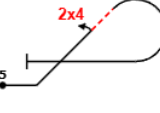
4 place in GAC ranking



GAC members	Rank	Comments
	1-5	
Pekka Havbrandt SWE	5	
Eugen Schaal, GER	2	
Ferenc Toth, HUN	4	
Madelyne Delcroix, FRA	6	
Philippe Küchler, SUI	3	
TOTAL RANK	20	

D ADV K=91

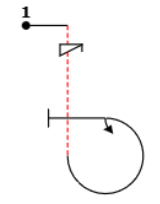
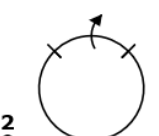
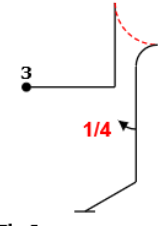
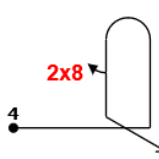
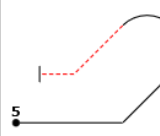
5 place in GAC ranking

				
7.2.2.1(6) 9.4.3.2(8) K: 14	1.1.1.1(2) 9.4.3.4(17) K: 19	1.1.3.3(8) 9.4.4.2(8) K: 16	7.4.1.1(10) 9.4.3.4(17) K: 27	8.5.2.1(10) 9.4.2.2(11) K: 21

GAC members	Rank	Comments
	1-5	
Pekka Havbrandt SWE	2	
Eugen Schaal, GER	6	Slightly excessive use of 4-point rolls
Ferenc Toth, HUN	5	
Madelyne Delcroix, FRA	4	
Philippe Kuchler, SUI	6	
TOTAL RANK	23	

F ADV K=96

6 place in GAC ranking

				
Fig A 8.6.4.3(13) 9.11.1.4(5) 9.1.3.2(6) K: 24	Fig B 7.4.1.1(10) 9.1.3.4(12) K: 22	Fig C 6.2.2.1(17) 9.1.5.1(3) K: 20	Fig D 8.4.1.1(13) 9.8.5.1(5) K: 18	Fig E 8.4.13.1(11) K: 11

GAC members	Rank	Comments
	1-5	
Pekka Havbrandt SWE	5	
Eugen Schaal, GER	2	
Ferenc Toth, HUN	4	
Madelyne Delcroix, FRA	6	
Philippe Kuchler, SUI	3	
TOTAL RANK	20	