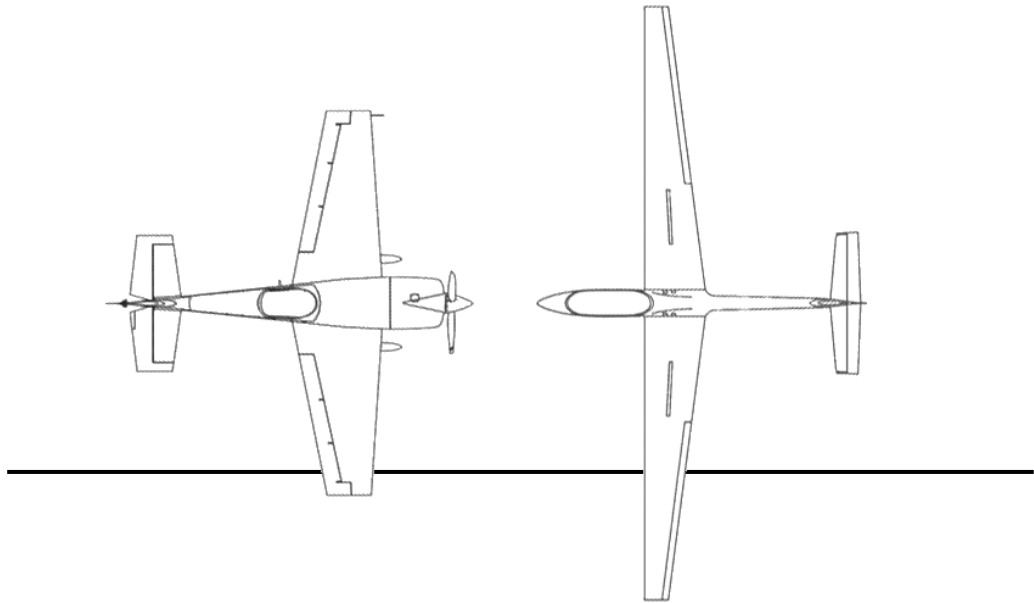




*Fédération  
Aéronautique  
Internationale*



## **Agenda**

### **Plenary Meeting of the FAI Aerobatics Sports Commission (CIVA)**

To be held on  
Saturday 2<sup>nd</sup> and Sunday 3<sup>rd</sup> November 2024  
at the Hellenic Air Force Academy in Athens

*Maison du Sport International  
Av. de Rhodanie 54  
CH-1007 Lausanne  
(Switzerland)  
Tél. +41 (0)21 345 1070  
Fax +41 (0)21 345 1077  
Email: [commissions@fai.org](mailto:commissions@fai.org)  
Web: [www.fai.org](http://www.fai.org)*

Ver: 1.1 October 2024

# CIVA Plenary Conference 2024

*Note: All timings given here are best estimates*

<b>CIVA Presidents introductory remarks</b>	<b>09:00 – 09:10</b>
<b>1. In Memoriam</b>	<b>09:10 – 09:20</b>
<b>2. Meeting Introduction</b>	<b>09:20 – 09:40</b>
<b>2.1. Roll Call of Delegations</b> <ul style="list-style-type: none"><li>- Apologies for Absence</li><li>- Announcement of approved Proxy voters</li><li>- Test round for Election Runner voting</li></ul>	
<b>2.2. Minutes of the 2023 Meeting</b> <ul style="list-style-type: none"><li>- Plenary will be invited to approve the minutes of the 2023 meeting of CIVA held at the Polish Aviation Museum in Krakow, Kraków, Poland.</li></ul>	
<b>2.3. Declarations of conflicts of Interest</b> <ul style="list-style-type: none"><li>- Announcements are requested from participants with conflicting interests</li></ul>	
<b>2.4 Short test of the ElectionRunner voting system</b> <ul style="list-style-type: none"><li>- Hanna Rähä and Carole Holyk to check delegate voting access</li></ul>	
<b>3. Report from the President of CIVA – Nick Buckenham</b>	<b>09:40 – 10:00</b>
<b>4. Report from FAI – Markus Haggene</b>	<b>10:00 – 10:30</b>
<b>5. Report on CIVA Finances 2023-2024</b>	<b>10:30 – 11:00</b>
<b>5.1. 2024 Financial Results</b>	Pik Küchler
<b>5.2. 2024 CIVA Travel Allowance Programme</b>	Pik Küchler Zuzana Danihelová
<b>5.3. 2025 Budget</b>	Pik Küchler
<b>5.4. The CIVA Sanction Fee</b>	Nick Buckenham

**Coffee break**

**11:00 to 11:20**

<b>6. Reports of the 2024 Championships</b>	<b>11:20 – 11:50</b>
---	----------------------

<b>6.1</b>	<b>WGAC/WAGAC Jury President's Report</b>	Vladimir Machula
<b>6.2</b>	<b>WGAC/WAGAC Chief Judge's Report</b>	Pik Kuchler
<b>6.3</b>	<b>WGAC/WAGAC Contest Director's Report</b>	Roland Marsch
<b>6.4</b>	<b>WAC Jury President's Report</b>	Pierre Varloteaux
<b>6.5</b>	<b>WAC Chief Judge's Report</b>	Quintin Hawthorne
<b>6.6</b>	<b>WAC Contest Director's Report</b>	Jerzy Makula
<b>6.7</b>	<b>EAAC/EIAC Jury President's Report</b>	Pierre Varloteaux
<b>6.8</b>	<b>EAAC/EIAC Chief Judge's Report</b>	Guy Auger
<b>6.9</b>	<b>EAAC/EIAC Contest Director's Report</b>	Vlad Alexandru Popescu

<b>7. CIVA Committee and Working Group Reports</b>	<b>11:50 – 12:30</b>
--	----------------------

7.1.	CIVA Judging Committee	Pierre Varloteaux
7.2.	CIVA Catalogue Committee	Daniel Genevey
7.3.	CIVA Glider Aerobatics Committee	Pekka Havbrandt
7.4.	CIVA Fair Play System	Nick Buckenham
7.5.	The Information and Communication Technology Committee	Ringo Massa
7.6.	Strategic Planning Group Report	Nick Buckenham
7.7.	Safety Working Group Report	Hanspeter Rohner
7.8.	Contest Scoring Programme Report	Nick Buckenham
7.9.	FAI/Aresti Liaison Working Group Report	Jim Bourke
7.10.	Contest Organization Working Group	Nick Buckenham

*Lunch break*

**12:30 to 14:00**

<b>8. Proposed CIVA rule changes for 2025</b>	<b>14:00 – 15:30</b>
---	----------------------

8.1	Part 1 Proposals for power – Section 6 Part 1	Matthieu Roulet
8.2	Part 2 Proposals for glider – Section 6 Part 2	Pekka Havbrandt
8.3	Safety, Expedited and Presidents proposals (SP, EP and UP)	Nick Buckenham

**9. CIVA Elections 2024**

**15:30 – 16:30**

**CIVA officers retiring in 2024:**

Tamás Ábrányi

Vice President

Hanspeter Rohner

Vice President

Hanna Räihä

Secretary

**Committee Chairs and members**

Rules Committee

Judging Committee

Glider Aerobatic Committee

ICT Committee

FAI/Aresti Committee

Catalogue Committee

**Note:** The results of voting returns from the published **CIVA Officials and Elections for 2025** document will be presented for approval – see Remarks (b) at the end of this Agenda.

**10. CIVA Free Known power and glider figure selections for 2024**

**15:45 – 17:00**

**10.1. Power Intermediate Free-Known figures**

Hanspeter Rohner

**10.2. Power Advanced Free-Known figures**

Hanspeter Rohner

**10.3. Power Unlimited Free-Known figures**

Hanspeter Rohner

**10.4. Glider Advanced Free-Known figures**

Pekka Havbrandt

**10.5. Glider Unlimited Free-Known figures**

Pekka Havbrandt

*Expected conclusion of CIVA plenary conference 2024 day-1*

**11. Future FAI Aerobatic Championships**

**09:00 – 10:15**

**11.1. Future events (bids invited)**

**12. FAI Special Aerobatic Events (FSAE) for 2025**

**10:15 – 10:30**

**12.1 Report from the CIVA President**

Nick Buckenham

**13. Appointment and Approval of Championships Officials**

**10:30 – 11:20**

- 13.1. The 23<sup>rd</sup> FAI Open European Aerobatic Championships 2025, Kakolewo Airport, Poland
- 13.2. The 16<sup>th</sup> FAI World Advanced Aerobatic Championships 2025, Location TBD
- 13.3. The 4<sup>th</sup> FAI World Intermediate Aerobatic Championships 2025, Location TBD
- 13.4. The 27<sup>th</sup> FAI World Glider Aerobatic Championships and the 15<sup>th</sup> FAI World Advanced Glider Aerobatic Championships 2025, Location TBD
- 13.5. Other events now sanctioned (Excellence)
- 13.6. Special events

**14. Diplomas and Awards**

**11:20 – 11:40**

The CIVA Championship Organiser of the Year 2024 – announcement and presentation  
The Léon Biancotto Diploma – a vote will be taken to select the nominated candidate

**15. CIVA Internal Regulations**

**11:40 – 12:30**

- 15.1 Report and update

Matthieu Roulet

*Lunch break*

*12:30 to 13:45*

**16. List of FAI International Aerobatic Judges**

**13:45 – 14:00**

- 16.1. Maintenance of the lists of CIVA International Judges

Pierre Varloteaux

**17. Date and Place of Future Meetings**

**14:00 – 14:15**

**Statement**

Nick Buckenham

Discussion, followed by a request for approval by delegates

## End of CIVA Plenary Conference 2024

**Remarks:**

- a) Please contact the CIVA President to submit championship bid forms at [civa-president@fai.org](mailto:civa-president@fai.org)
- b) The deadline for returning your completed **CIVA Officials and Elections for 2025 voting** form is **midnight UTC Wednesday 30<sup>th</sup> October**. This form is available from the CIVA News and FAI / CIVA websites, with instructions for its use and the required method of return.