

CIVA Free Known Programme 1

Check List for Unlimited Power 2025

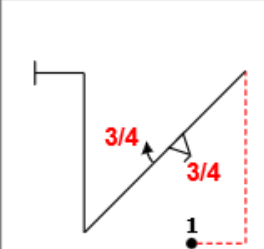
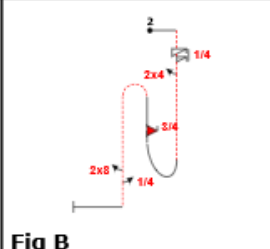
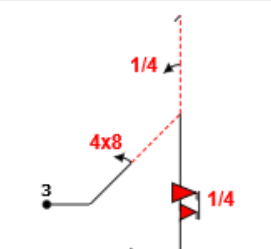
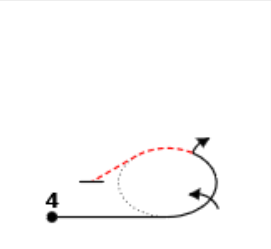
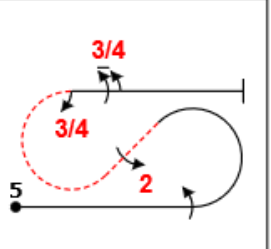


Team:	Pilot Name:	Event:
--------------	--------------------	---------------

V1 01-01-25

<i>Elements to Check:</i>	<i>Correct</i>	<i>Incorrect</i>
The sequence must be submitted as a computer file that provides the approved CIVA Forms A, B and C, or alternatively CIVA Forms L and R.		
The sequence must comprise TEN figures – no more and no less.		
The FIVE “Known” figures must be clearly identified with letters A-E, and used according to CIVA Section 6 Part 1 para 2.2.		
The FIVE “Free” figures added by the competitor must be clearly identified and the whole sequence must comply with Section-6 part-1 regulations.		
No repetition of catalogue numbers is allowed.		
The Form-A Catalogue numbers must be correct versus Form B, or L versus R.		
Form A matches Form B , Form B matches Form C, or Form L matches Form R.		
The maximum Total K allowed = 450.		

The 5 approved master figures for the Unlimited power category are as shown here:

 <p>Fig A 1.3.10.2(24) 9.9.4.3(11) 9.1.4.3(6) K: 41</p>	 <p>Fig B 8.8.6.3(21) 9.11.1.5(4) 9.4.5.2(5) 9.10.6.3(19) 9.8.5.1(3) 9.1.5.1(2) K: 54</p>	 <p>Fig C 5.3.2.1(24) 9.8.2.2(9) 9.1.1.1(6) 9.10.5.5(15) K: 54</p>	 <p>Fig D 2.3.3.1(37) K: 37</p>	 <p>Fig E 7.5.1.1(16) 9.1.3.4(8) 9.2.4.4(9) 9.1.3.3(6) 9.1.3.7(11) K: 50</p>
--	--	---	---	---

Checked by:		Date:
Initials	Signature	