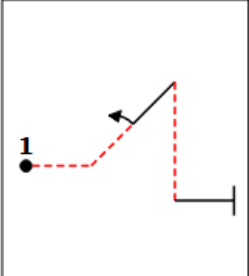
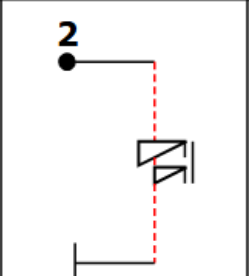
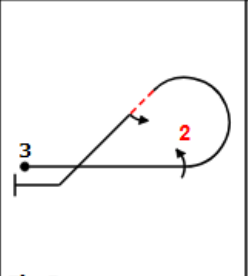
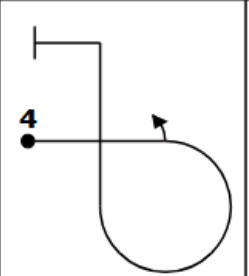
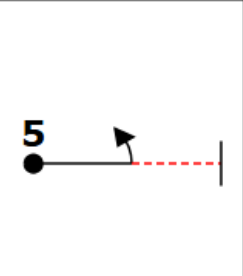


The “Known” figures specified by CIVA for glider aircraft in 2025 are:

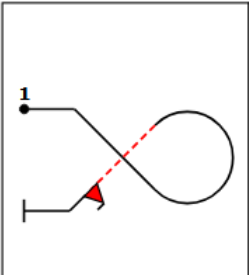
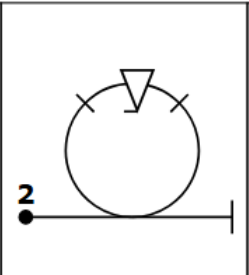
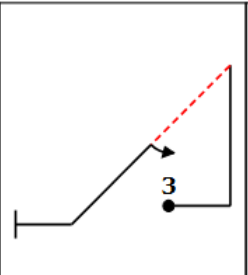
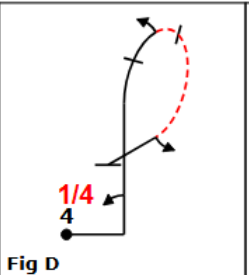
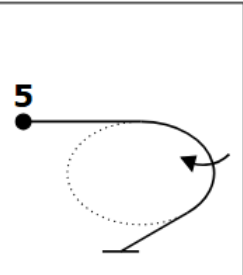
Advanced glider category

Max total K allowed = 175 §

 <p>Fig A 1.2.4.2(14) 9.1.2.2(9) K: 23</p>	 <p>Fig B 1.1.6.3(10) 9.11.1.6(7) K: 17</p>	 <p>Fig C 8.5.6.1(10) 9.2.3.4(14) 9.1.4.2(6) K: 30</p>	 <p>Fig D 8.6.8.3(12) 9.1.3.2(6) K: 18</p>	 <p>Fig E 1.1.1.3(2) 9.1.3.2(6) K: 8</p>
--	---	--	---	--

Unlimited glider category

Max total K allowed = 230 §

 <p>Fig A 7.3.3.3(14) 9.10.4.2(15) K: 29</p>	 <p>Fig B 7.4.1.1(10) 9.9.3.4(16) K: 26</p>	 <p>Fig C 1.2.7.1(13) 9.1.4.2(6) K: 19</p>	 <p>Fig D 8.6.18.1(13) 9.1.1.1(9) 9.1.3.2(6) 9.1.3.2(6) K: 34</p>	 <p>Fig E 2.1.3.1(19) K: 19</p>
---	--	---	---	--

§ - see CIVA Section 6 part 2:

Coefficients:

The final sum of figure K-factors must not exceed the amount of 230 (“AG” 175) for 10 figures total. The sum of the figure K-factors may be as large as 233 (“AG” 178), but will be reduced to 230 (“AG” 175), starting with the highest value Free figure, by removing one point from the highest K-factor Free figure that has not had a point removed. The K-factors of the five Known figures must not be reduced. In the sequence forms the original K-factors will be shown as well as the reduced values.

Valid from January 1st 2025