

Yak-52/Intermediate A Total K 106

<p>Fig A 5.3.1.1(18) K: 18</p>	<p>Fig B 7.4.1.1(10) 9.9.3.4(11) K: 21</p>	<p>2x4</p> <p>Fig C 7.2.1.1(6) 9.9.3.2(11) 9.4.3.2(5) K: 22</p>	<p>Fig D 1.2.5.4(14) 9.12.1.4(7) K: 21</p>	<p>Fig E 2.2.3.1(24) K: 24</p>
---	---	---	---	---

Yak52/Intermediate B Total K 105

<p>Fig A 1.2.7.1(13) 9.1.1.2(8) 9.1.4.2(4) K: 25</p>	<p>2x8</p> <p>1/4</p> <p>Fig B 5.2.1.1(17) 9.8.1.1(7) 9.1.5.1(2) K: 26</p>	<p>Fig C 7.2.2.1(6) 9.1.3.2(4) 9.9.3.4(11) K: 21</p>	<p>Fig D 8.6.3.3(13) 9.11.1.4(5) K: 18</p>	<p>Fig E 2.1.3.2(15) K: 15</p>
---	---	---	---	---

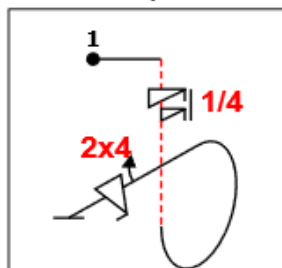
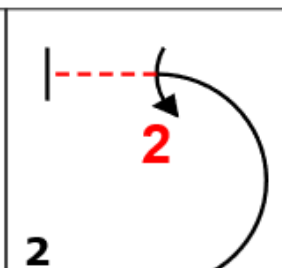
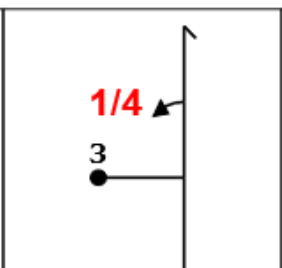
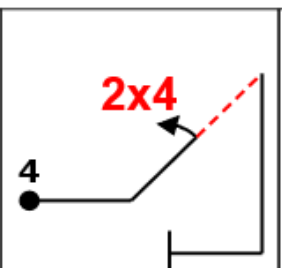
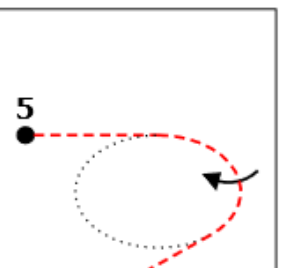
Yak-52/Intermediate C Total K 104

<p>2x4</p> <p>Fig A 1.2.8.3(15) 9.11.1.6(3) 9.4.2.2(7) K: 25</p>	<p>Fig B 8.6.22.1(13) 9.1.3.4(8) 9.1.3.2(4) K: 25</p>	<p>2x8</p> <p>Fig C 5.3.1.1(18) 9.8.5.1(3) K: 21</p>	<p>1/4</p> <p>Fig D 8.4.1.1(13) 9.1.1.1(6) K: 19</p>	<p>Fig E 2.1.3.1(14) K: 14</p>
--	--	--	--	---

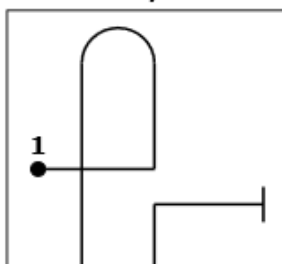
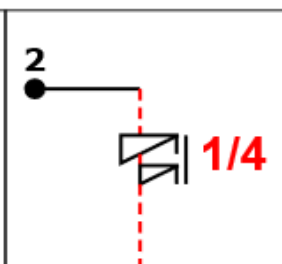
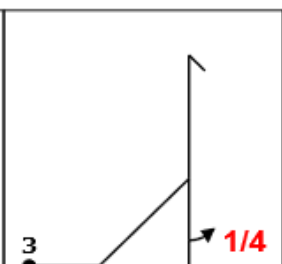
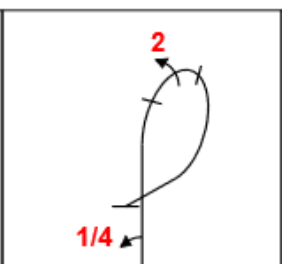
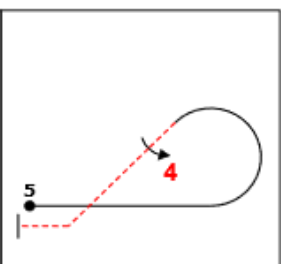
Yak-52/Intermediate D Total K 110

<p>1/4</p> <p>2x8</p> <p>Fig A 8.4.1.1(13) 9.1.1.1(6) 9.8.5.1(3) K: 22</p>	<p>2</p> <p>Fig B 7.4.1.1(10) 9.2.3.4(9) K: 19</p>	<p>Fig C 8.5.4.1(11) 9.9.2.2(13) 9.1.3.2(4) K: 28</p>	<p>Fig D 1.2.7.4(14) 9.12.1.4(7) 9.1.2.2(6) K: 27</p>	<p>Fig E 2.1.2.2(14) K: 14</p>
---	--	--	--	---

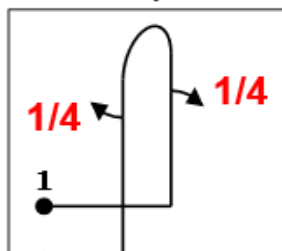
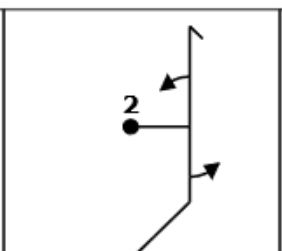
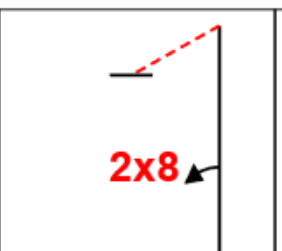
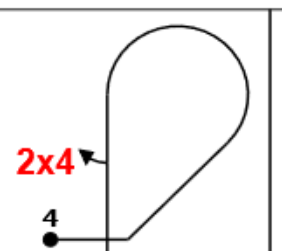
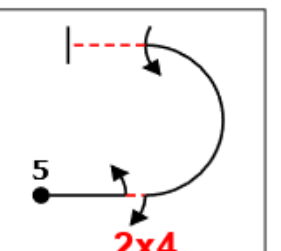
Yak-52/Intermediate E Total K 105

 <p>Fig A 8.6.4.3(13) 9.11.1.5(4) 9.4.3.2(5) 9.9.3.4(11) K: 33</p>	 <p>Fig B 7.2.1.1(6) 9.2.3.4(9) K: 15</p>	 <p>Fig C 5.2.1.1(17) 9.1.1.1(6) K: 23</p>	 <p>Fig D 1.2.3.1(12) 9.4.2.2(7) K: 19</p>	 <p>Fig E 2.1.3.2(15) K: 15</p>
---	---	--	---	---

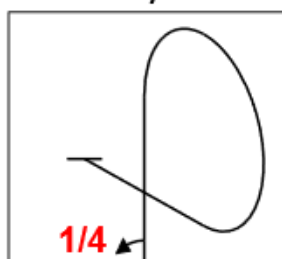
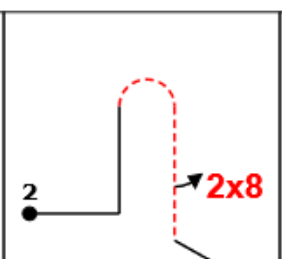
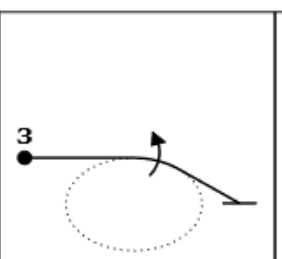
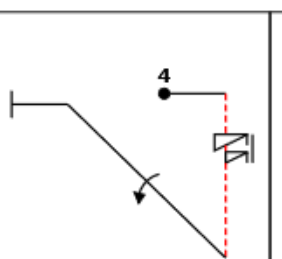
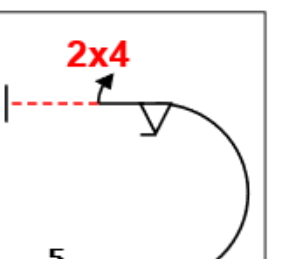
Yak-52/Intermediate F Total K 100

 <p>Fig A 8.8.2.1(19) K: 19</p>	 <p>Fig B 1.1.6.3(10) 9.11.1.5(4) K: 14</p>	 <p>Fig C 5.3.1.1(18) 9.1.5.1(2) K: 20</p>	 <p>Fig D 8.6.1.1(11) 9.1.1.1(6) 9.2.3.4(9) K: 26</p>	 <p>Fig E 8.5.5.1(10) 9.4.4.4(11) K: 21</p>
--	---	--	--	---

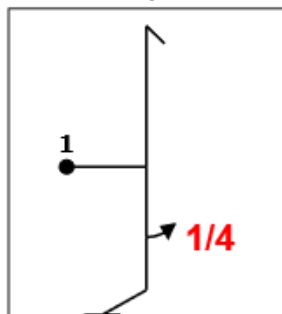
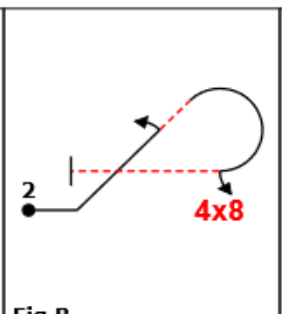
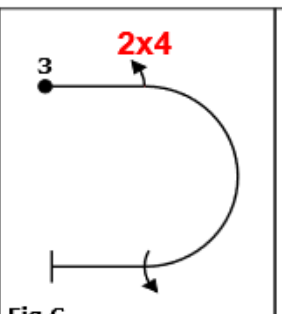
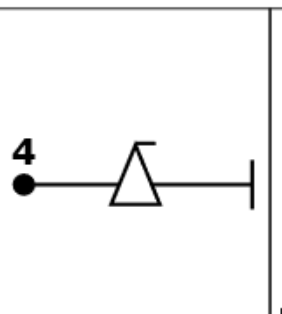
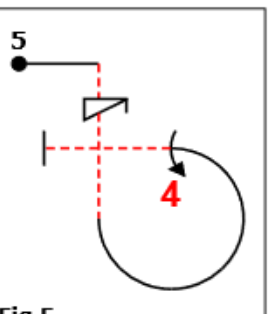
YAK-52/Intermediate G Total K 108

 <p>Fig A 8.4.2.1(14) 9.1.1.1(6) 9.1.5.1(2) K: 22</p>	 <p>Fig B 5.3.3.1(18) 9.1.1.2(8) 9.1.5.2(4) K: 30</p>	 <p>Fig C 1.1.7.1(9) 9.8.1.1(7) K: 16</p>	 <p>Fig D 8.5.9.1(12) 9.4.5.2(5) K: 17</p>	 <p>Fig E 7.2.1.1(6) 9.1.3.2(4) 9.4.3.2(5) 9.1.3.4(8) K: 23</p>
--	---	---	---	---

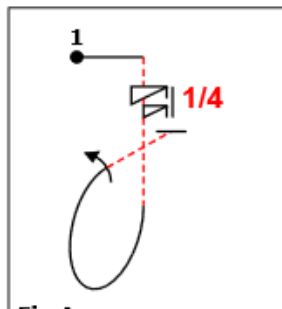
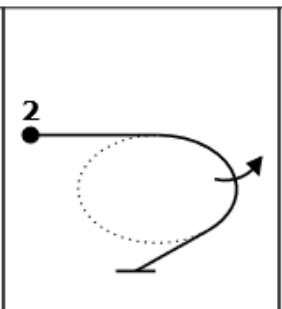
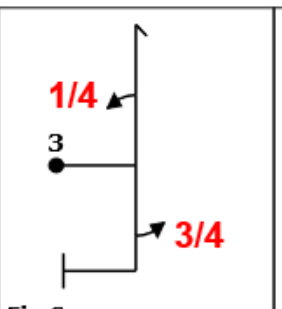
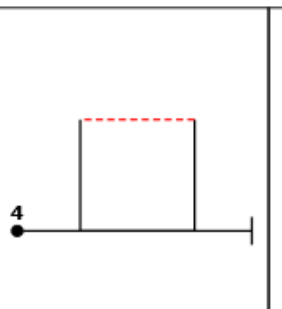
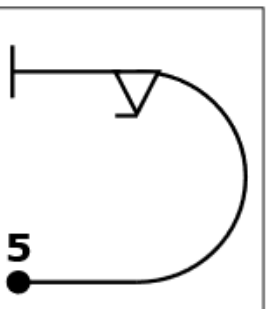
Yak-52/Intermediate H Total K 100

 <p>Fig A 8.6.1.1(11) 9.1.1.1(6) K: 17</p>	 <p>Fig B 8.4.3.1(15) 9.8.5.1(3) K: 18</p>	 <p>Fig C 2.1.3.3(15) K: 15</p>	 <p>Fig D 1.2.6.3(15) 9.11.1.6(3) 9.1.2.4(10) K: 28</p>	 <p>Fig E 7.2.1.1(6) 9.9.3.2(11) 9.4.3.2(5) K: 22</p>
---	--	---	--	---

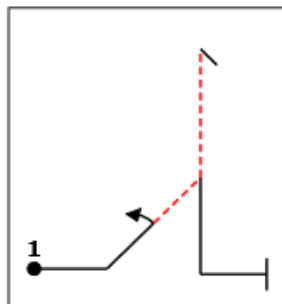
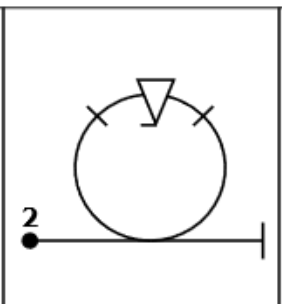
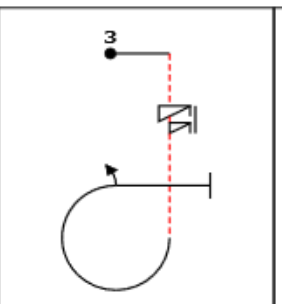
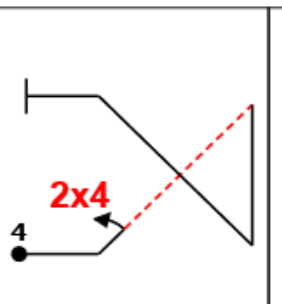
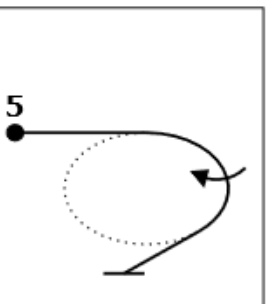
Yak-52/Intermediate I Total K 104

 <p>Fig A 5.2.1.1(17) 9.1.5.1(2) K: 19</p>	 <p>Fig B 8.5.4.1(11) 9.1.2.2(6) 9.8.3.2(7) K: 24</p>	 <p>Fig C 7.2.3.3(6) 9.4.3.2(5) 9.1.3.4(8) K: 19</p>	 <p>Fig D 1.1.1.1(2) 9.9.3.4(11) K: 13</p>	 <p>Fig E 8.6.3.3(13) 9.11.1.4(5) 9.4.3.4(11) K: 29</p>
---	---	--	---	---

Yak-52/Intermediate J Total K 100

 <p>Fig A 8.6.3.3(13) 9.11.1.5(4) 9.1.3.4(8) K: 25</p>	 <p>Fig B 2.1.3.3(15) K: 15</p>	 <p>Fig C 5.2.1.1(17) 9.1.1.1(6) 9.1.5.3(6) K: 29</p>	 <p>Fig D 7.4.3.1(14) K: 14</p>	 <p>Fig E 7.2.2.1(6) 9.9.3.2(11) K: 17</p>
---	---	---	--	--

Yak-52/Intermediate K Total K 110

 <p>Fig A 5.3.2.1(24) 9.1.2.2(6) K: 30</p>	 <p>Fig B 7.4.1.1(10) 9.9.3.4(11) K: 21</p>	 <p>Fig C 8.6.4.3(13) 9.11.1.6(3) 9.1.3.2(4) K: 20</p>	 <p>Fig D 1.3.2.1(18) 9.4.2.2(7) K: 25</p>	 <p>Fig E 2.1.3.1(14) K: 14</p>
---	---	--	---	---